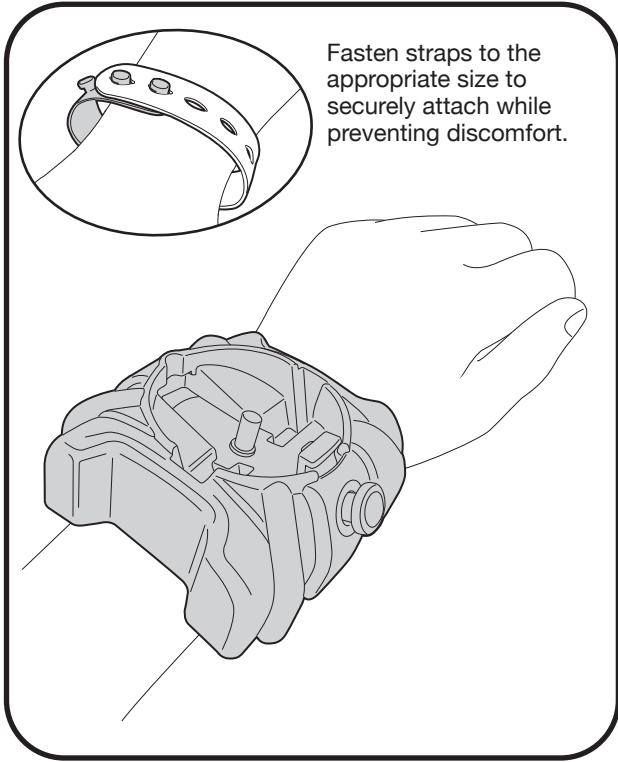


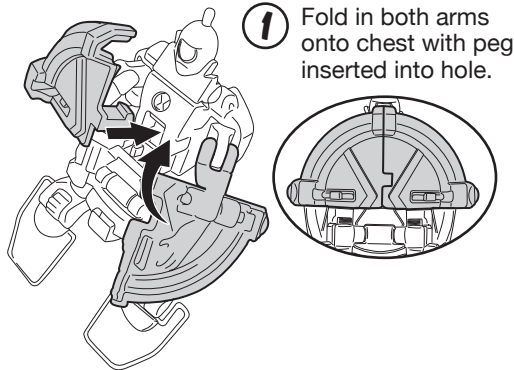


# OMNI-LAUNCH BATTLE FIGURES

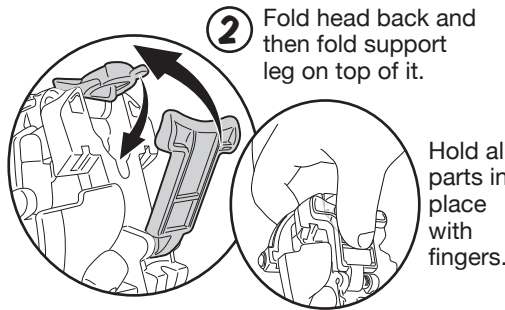


Fasten straps to the appropriate size to securely attach while preventing discomfort.

## Getting Alien Battle Figure Ready for Launch:

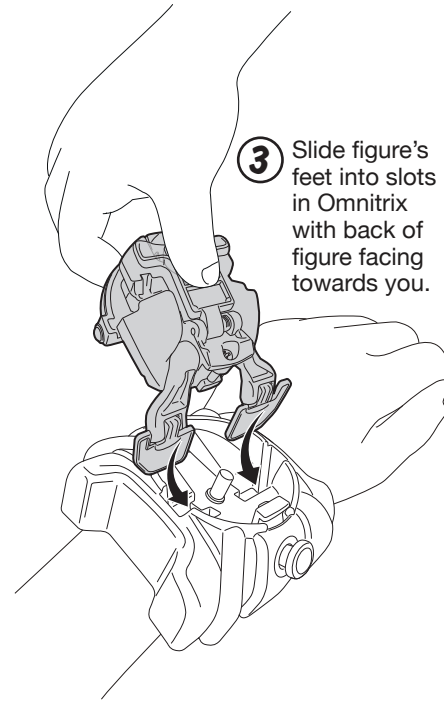


1 Fold in both arms onto chest with peg inserted into hole.

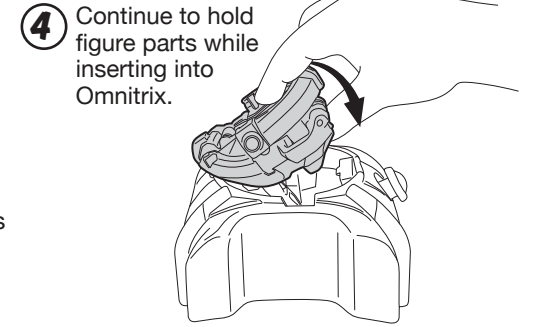


2 Fold head back and then fold support leg on top of it.

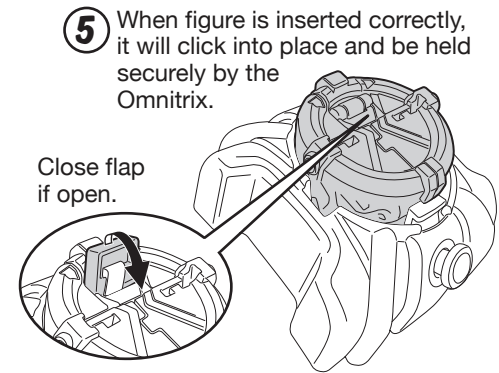
Hold all parts in place with fingers.



3 Slide figure's feet into slots in Omnitrix with back of figure facing towards you.



4 Continue to hold figure parts while inserting into Omnitrix.

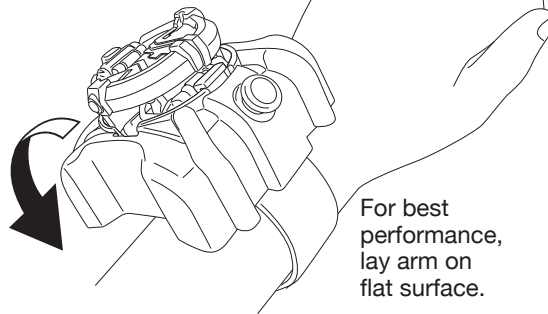


5 When figure is inserted correctly, it will click into place and be held securely by the Omnitrix.

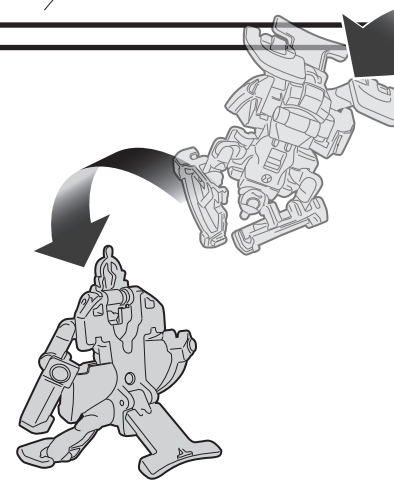
Close flap if open.

## Launching Alien Battle Figures:

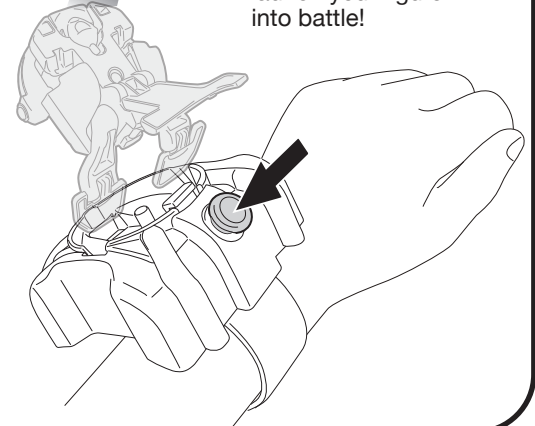
Turn Omnitrix and find the correct forward angle with button facing up.



For best performance, lay arm on flat surface.



Press button to launch your figure into battle!



Ages 4 and up  
Asst. #76745



BEN 10, CARTOON NETWORK, the logos, and all related characters and elements are trademarks of and ©2017 Cartoon Network. ©2017 Playmates. Playmates International Company Ltd. 23/F, The Toy House, 100 Canton Road, TST, Kowloon, Hong Kong. PRINTED IN CHINA.

Catch Ben 10 on **CARTOON NETWORK** and  
unleash more alien super powers at **BEN10.COM**

For more detailed instructions visit [www.Playmatestoy.com](http://www.Playmatestoy.com)