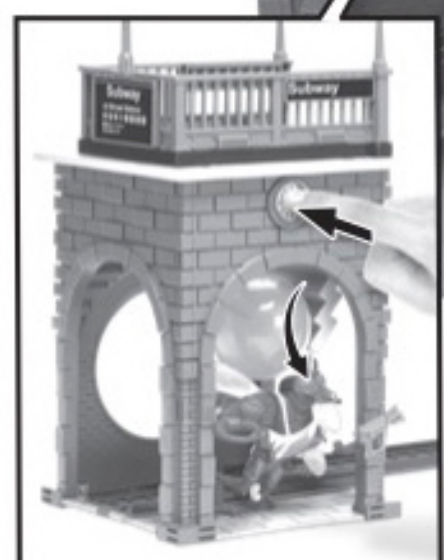
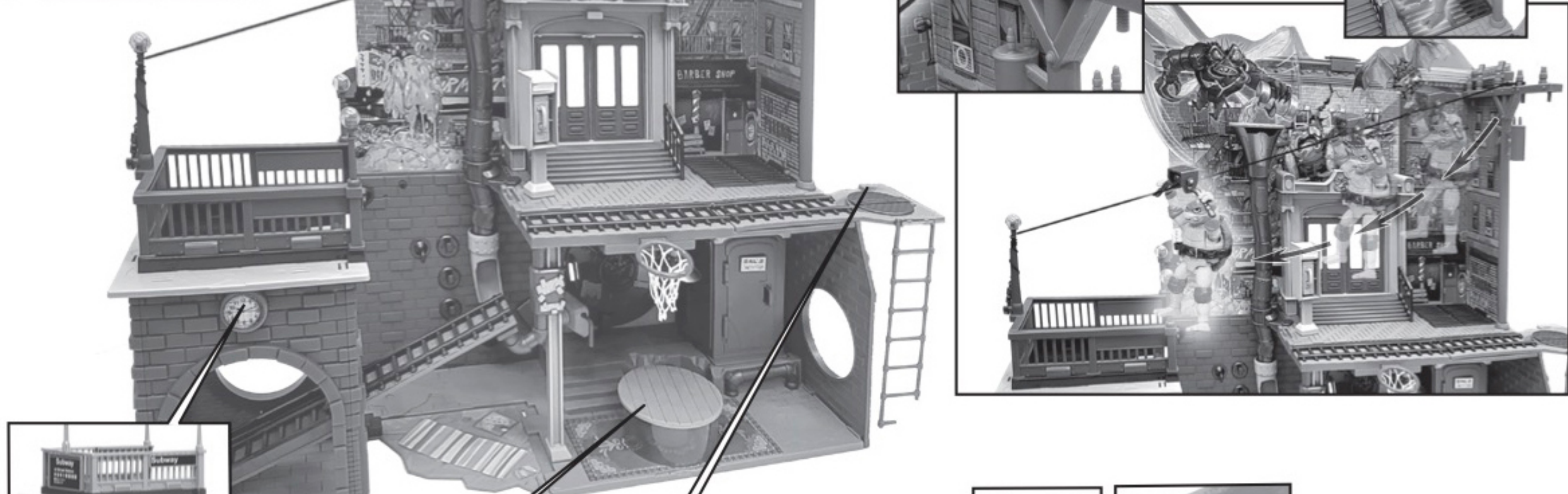


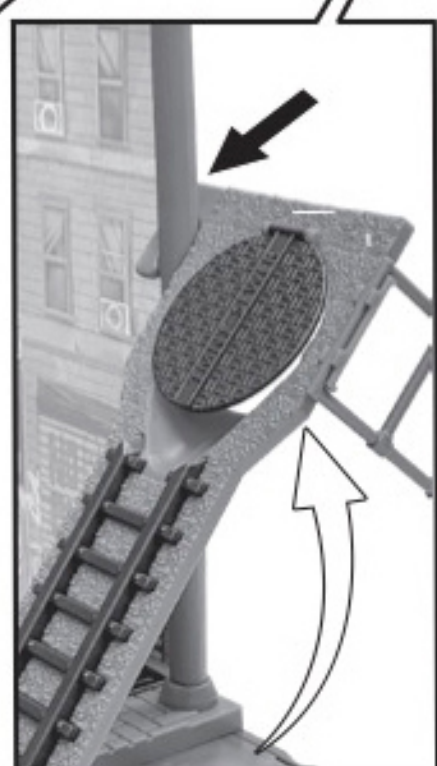
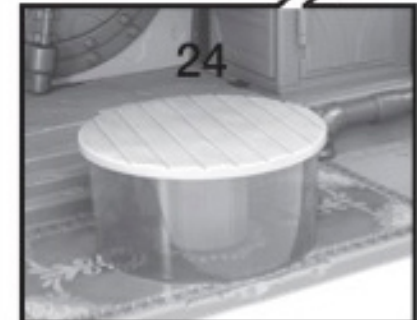
Features: Zip Line Attack:

1. Hook one end of the string to the telephone pole.
2. Hook other end of string to subway station. Stretch out string so its tight/sturdy.
3. Place zipline handlebars over string and attach a figure to handlebars and release.
4. To support the telephone pole during zip line play, raise the subway track and snap it onto the telephone pole as shown.

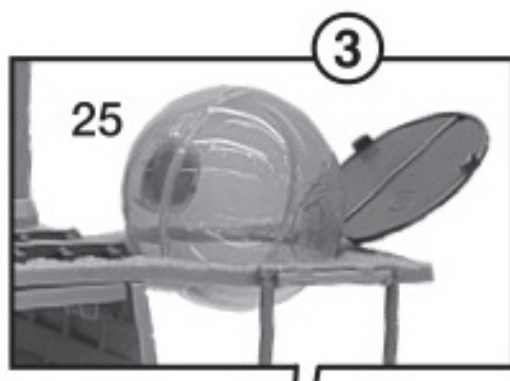


Drop Down Staircase:

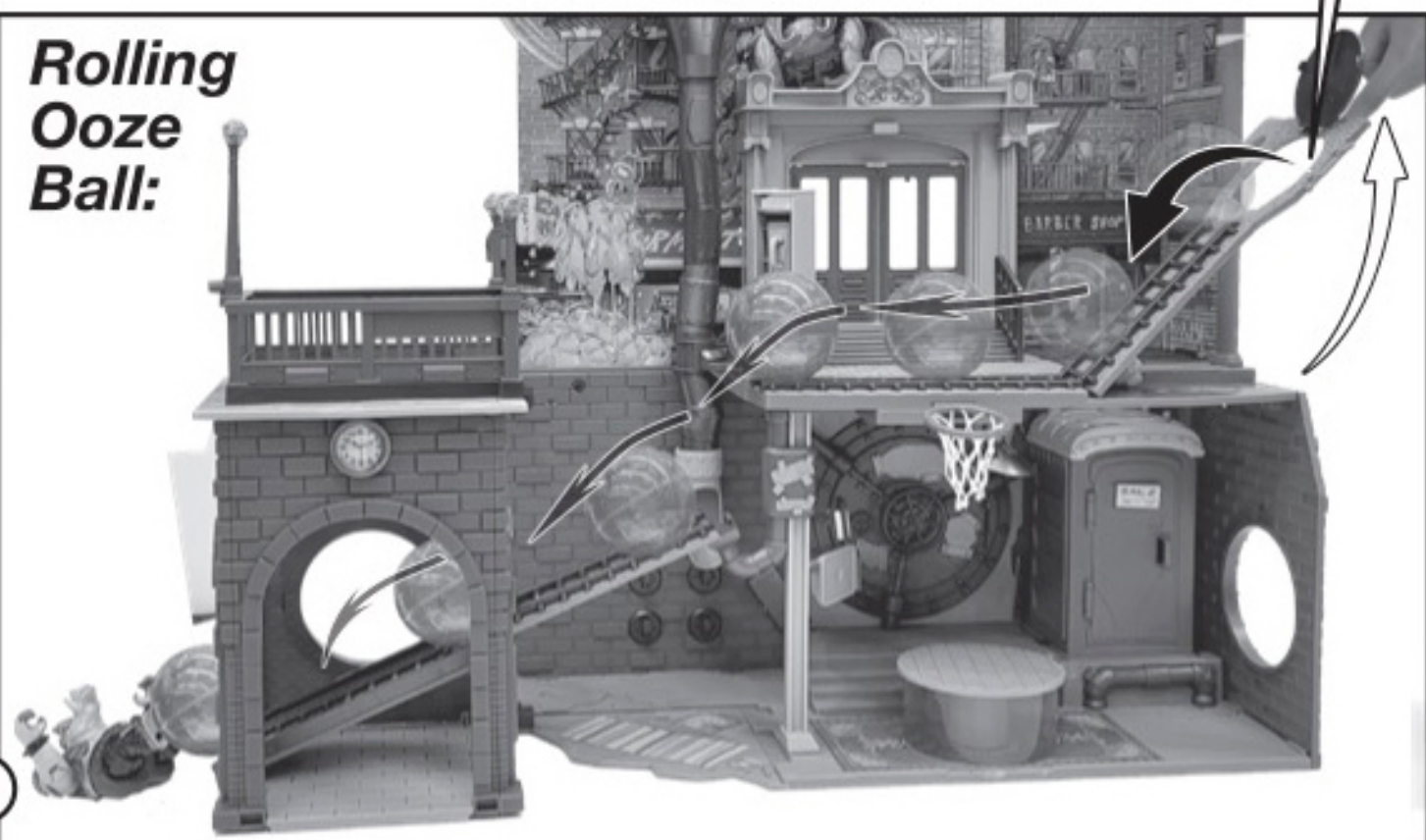
1. Push up staircase until it locks into place.
2. Push clock button and staircase drops.



Raise track and snap onto telephone pole during zip line play.

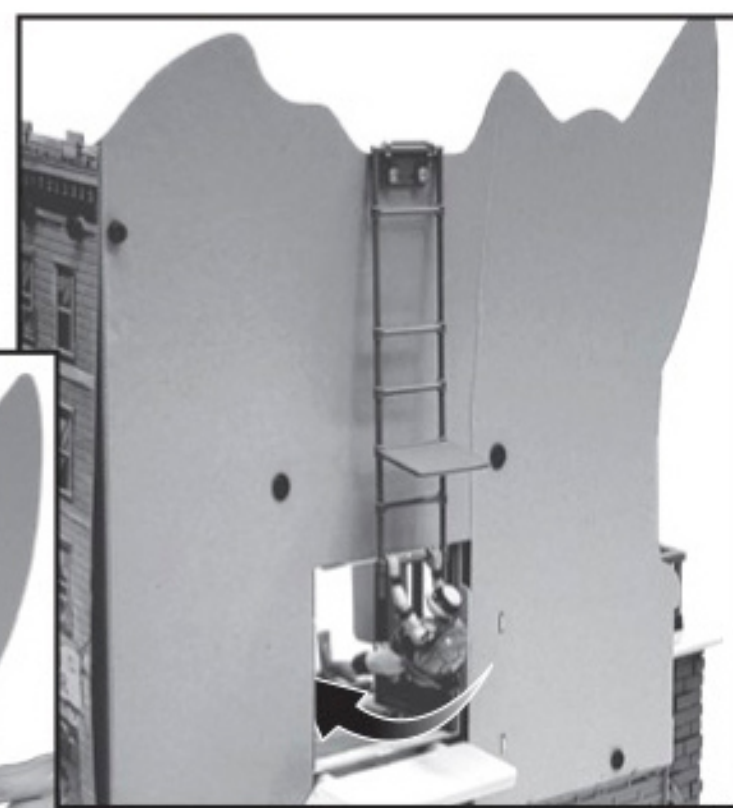


Rolling Ooze Ball:



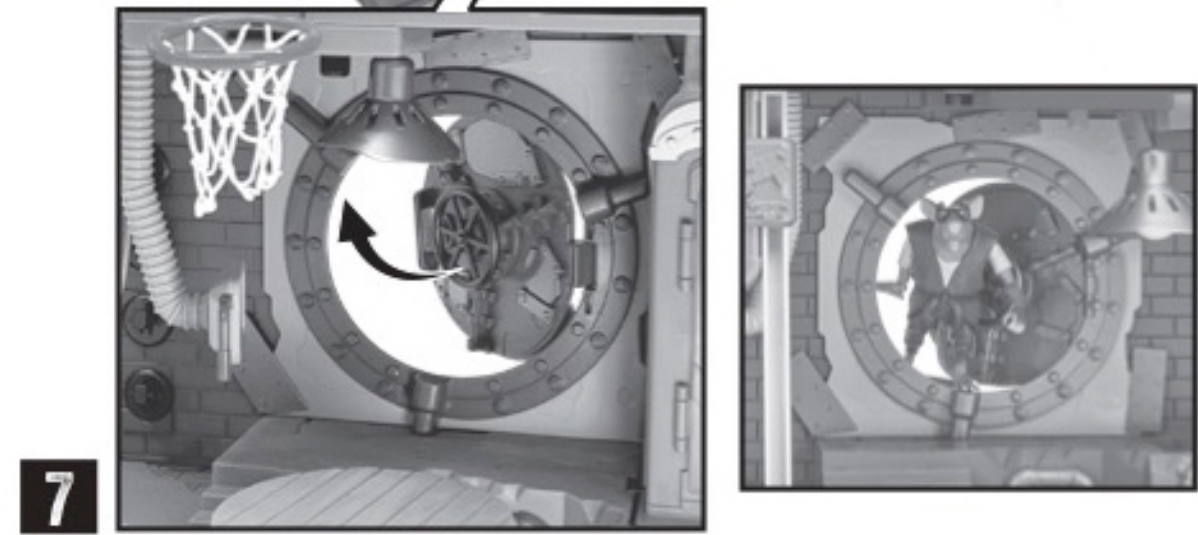
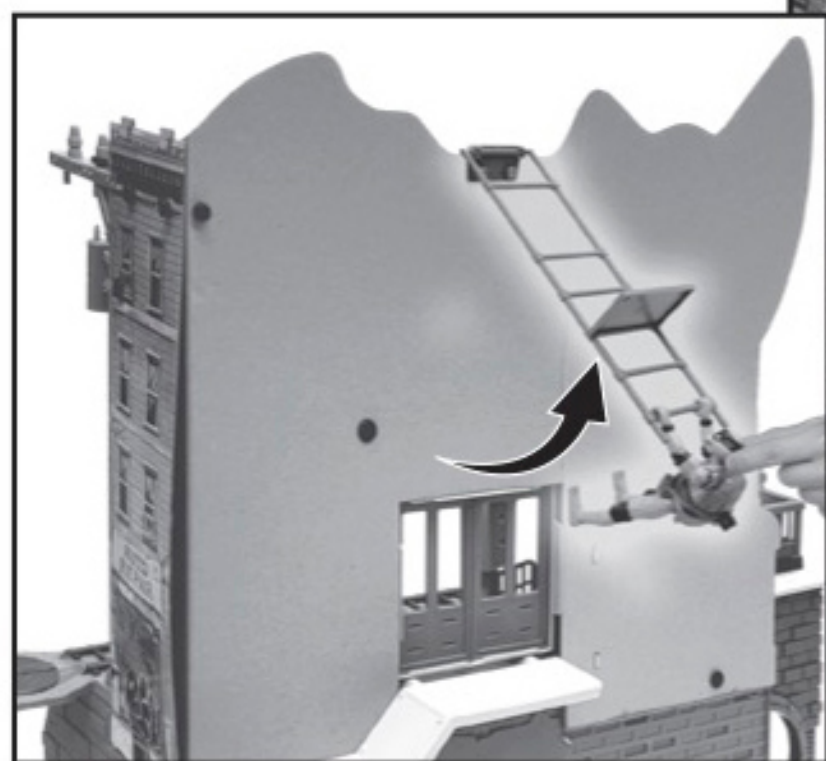
1. Unscrew lid on ooze ball.
2. Pour a small amount of ooze in ball.
3. Place ball in sewer lid opening and raise track.
4. Watch ooze ball roll down the tracks and take out any figure in its way!

*Be sure to rinse out ooze ball of all ooze when done playing.



Swing Down Surprise:

1. Have Turtle hang from the bottom of ladder as shown.
2. Swing ladder up and release!



7

nickelodeon



SEWER LAIR PLAYSET

HOME, SWEET SEWER HOME



Figures not included.
Not all figures will work with all features.
For more detailed instruction information reference the retail package or visit www.Playmatestoys.com



Ages 4 and up
Item #83478

©2023 Paramount Pictures. All Rights Reserved. Teenage Mutant Ninja Turtles and all related titles, logos and characters are trademarks of Viacom International Inc.
©2023 Playmates. Playmates International Company Ltd.
23/F, The Toy House, 100 Canton Road, TST, Kowloon, Hong Kong. PRINTED IN CHINA.
Please keep all relative information for further reference.

Distributor - US Market Only

Playmates Toys Inc.
909 N. Pacific Coast Highway,
Ste 800 El Segundo, CA 90245
Email:
toys@playmatestoys.com

WARNING:
CHOKING HAZARD- Small parts.
Not for Children under 3 years.
STRANGULATION HAZARD.
Keep long cord away from neck.

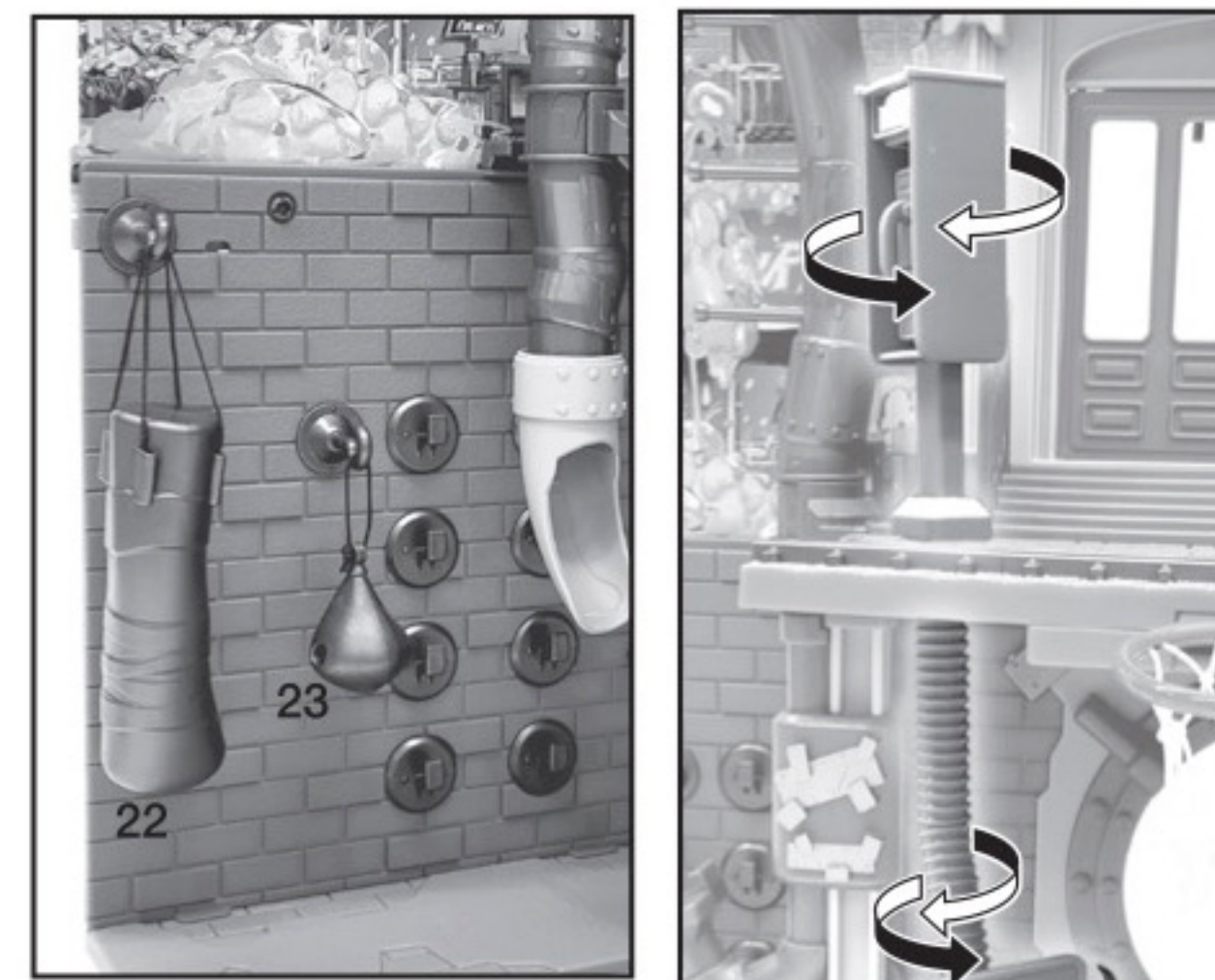
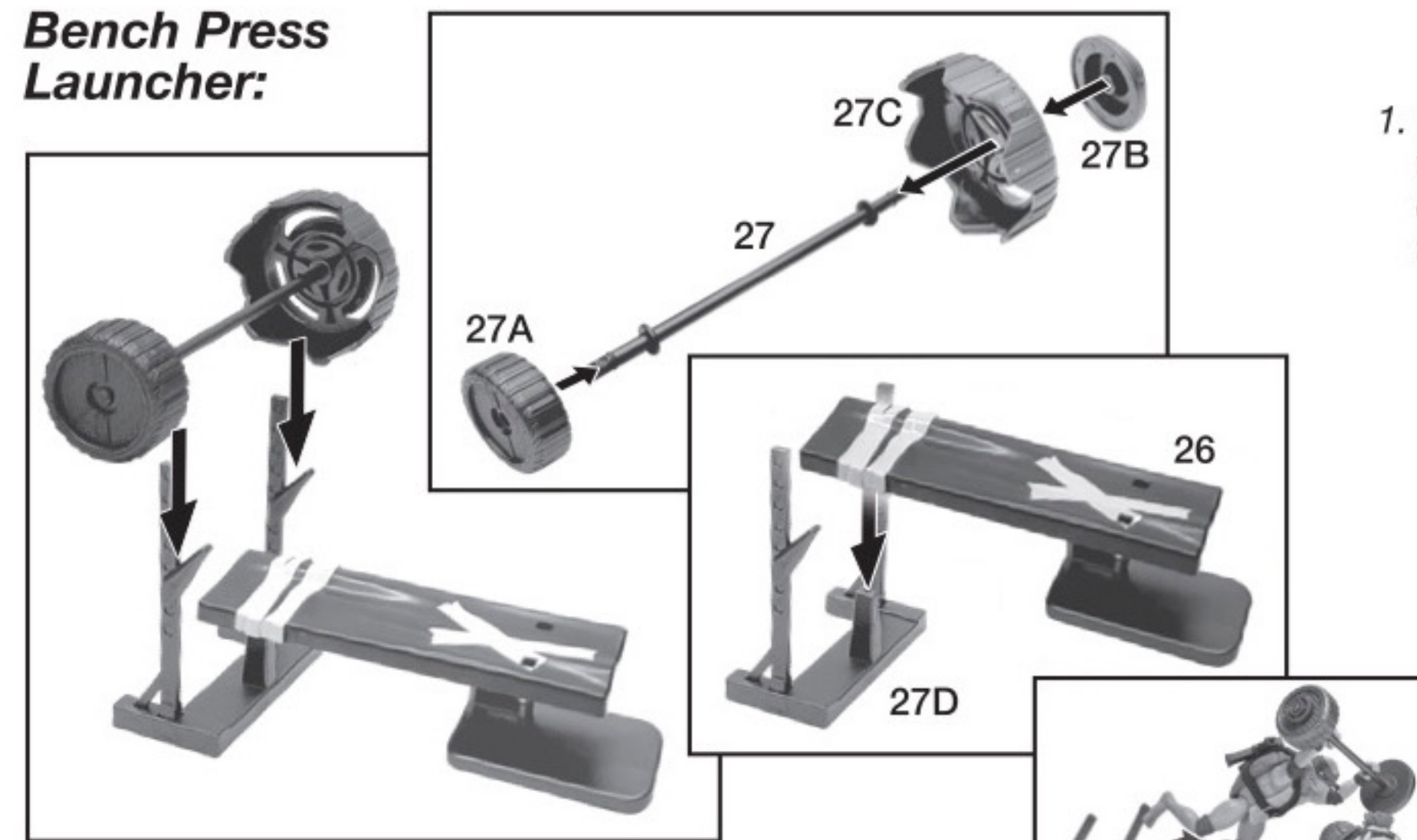


SEWER LAIR PLAYSET

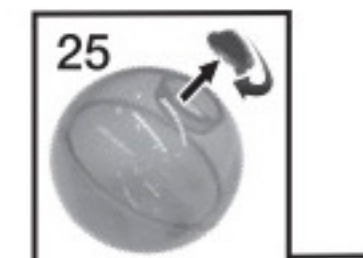
HOME, SWEET SEWER HOME COMPONENTS & STICKER PLACEMENT (APPLY ALL STICKERS PRIOR TO ASSEMBLY)

1, 2, 2A x2, 2B x8, 3, 4, 5, 6, 6A, 6B x2, 7, 7A, 7B, 8, 8A, 9, 10, 10, 11, 11A, 12, 12, 13, 14, 15, 16, 17, 18 x2, 19 x4, 20, 21, 22, 23, 24, 25, 26, 27, 27A, 27B, 27C, 27D, 28, 29, 30, 30A, 31, 31A, 32, 33, 33A, 33B, 33C, 35, 35A, 36

Bench Press Launcher:



1. Sit Turtle figure on bench press seat with arms raised and place barbell in hands.
2. Press down hard on end of bench press seat to launch Turtle into a baddie!



After play be sure to rinse out ooze ball with warm water.

After play remove pipe from set and thoroughly rinse with warm water.

Chandelier Attack:

1. Turn knob to raise chandelier to top.
2. Press button to drop chandelier on baddie!

